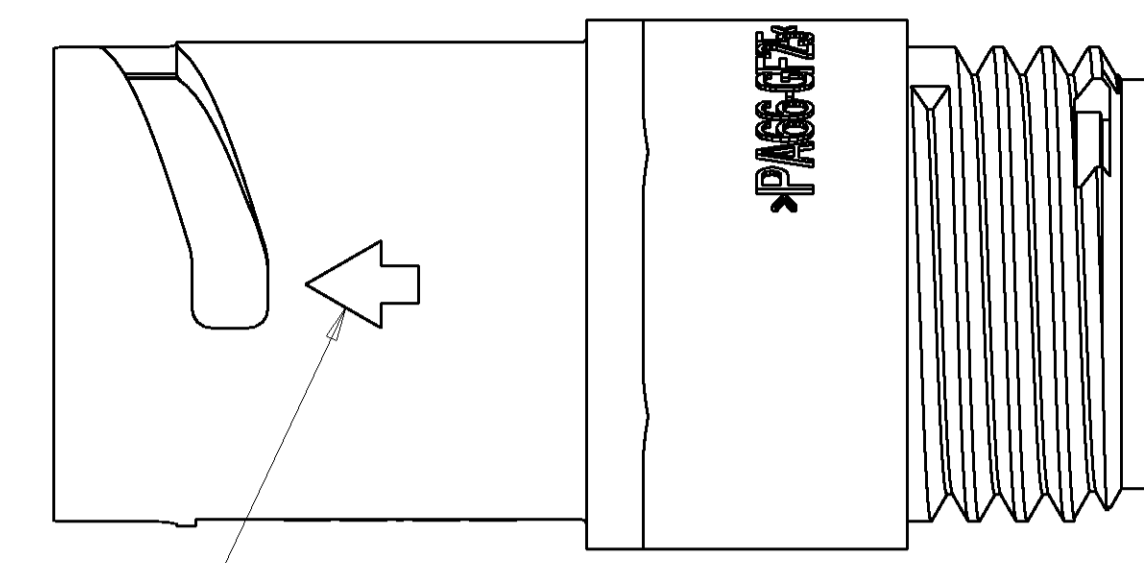
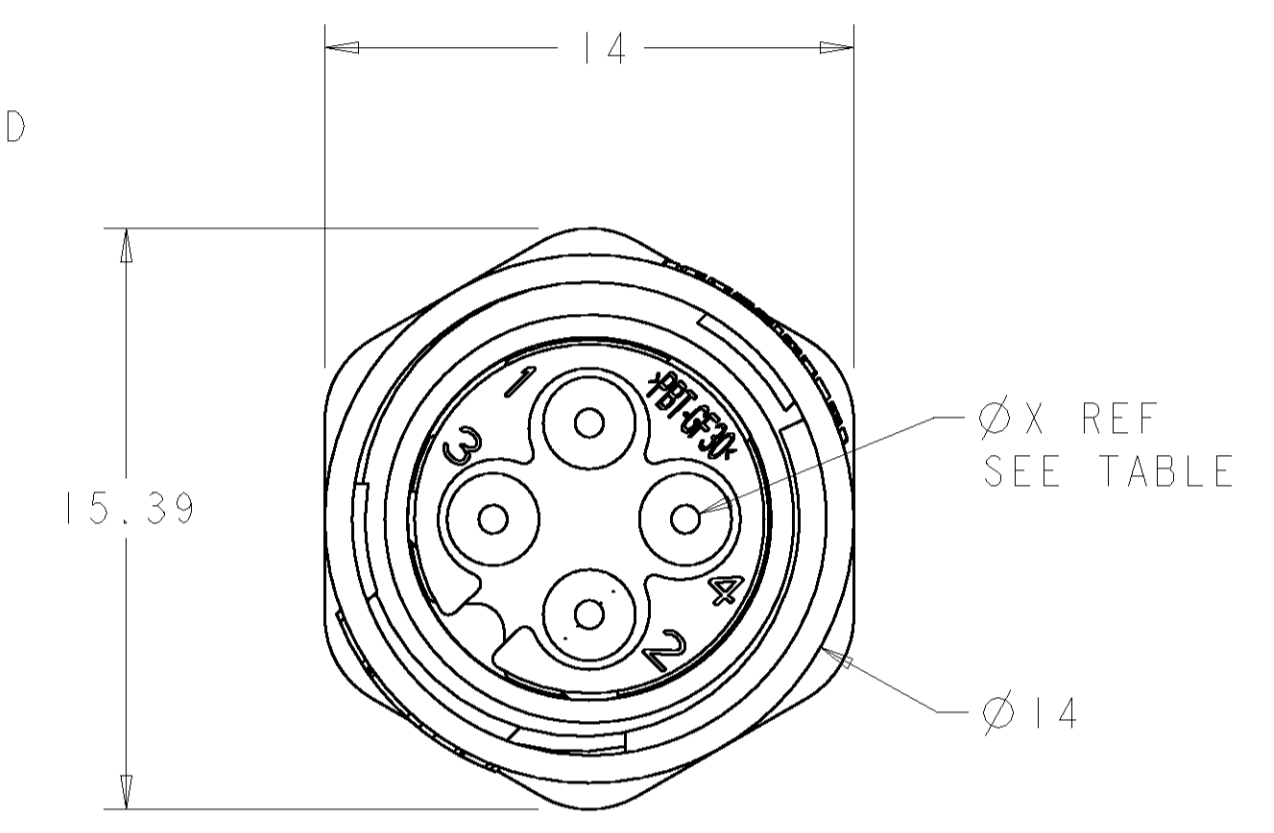
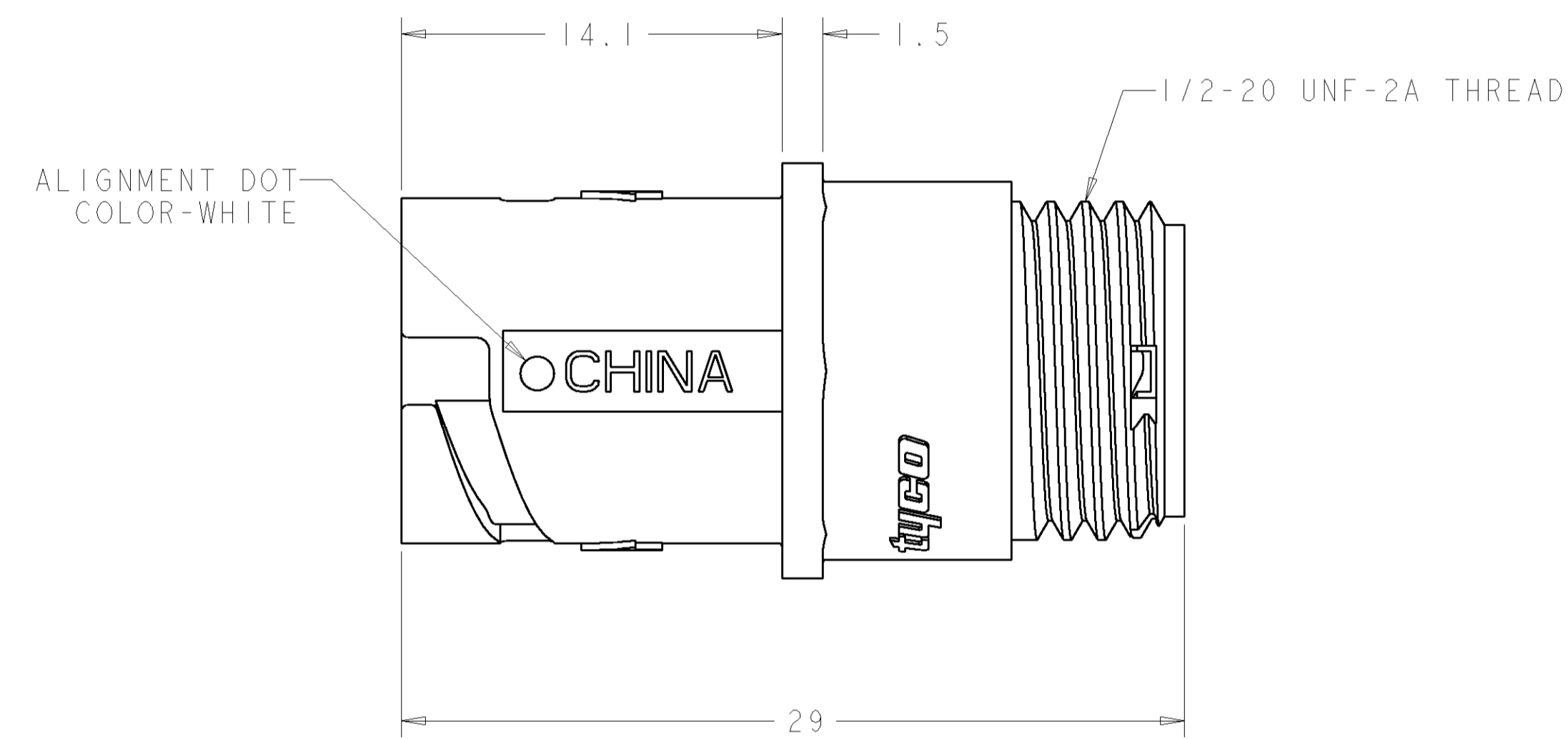
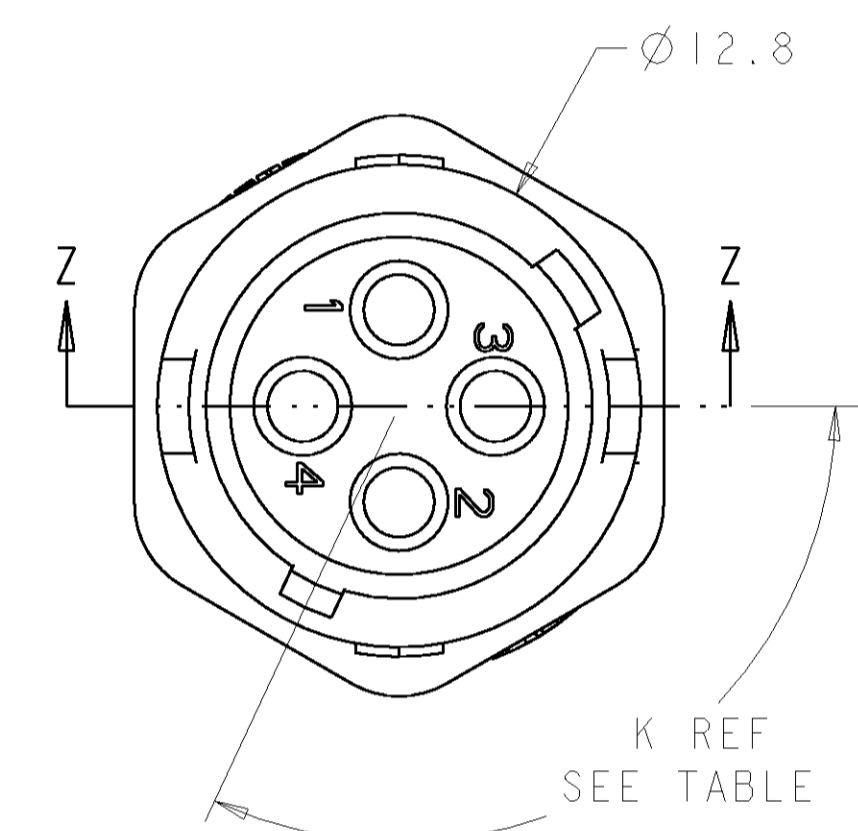


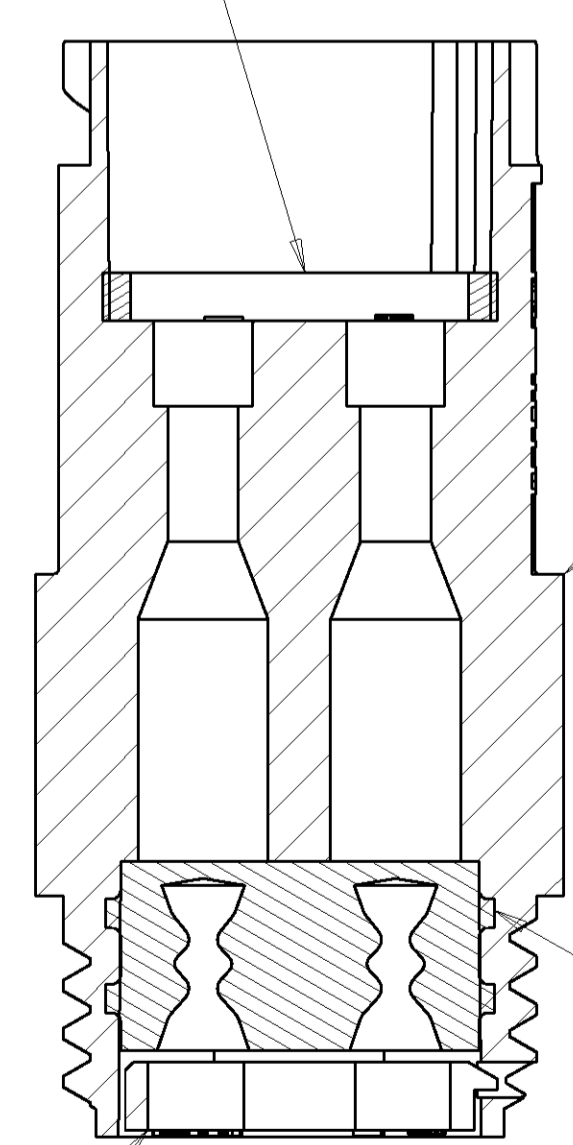
LOC		DIST		REVISIONS			
FT	0	P	LTR	DESCRIPTION	DATE	DWN	APVD
		A		RELEASED EC 0638-0362-03	12JUN2003	SW	HW
		B		REVISED EC 0638-0390-04	20MAY2004	SW	HW



POSITIVE LOCK INDICATOR



SEAL, PERIPHERAL, 1 REQD
 MATERIAL: ELASTOMER, COLOR-GRAY



HOUSING, 1 REQD
 MATERIAL: THERMOPLASTIC, COLOR-BLACK

SEAL, WIRE ENTRY, 1 REQD
 MATERIAL: ELASTOMER, COLOR-SEE TABLE

RETAINER, SEAL, 1 REQD
 MATERIAL: THERMOPLASTIC, COLOR-BLACK

SECTION Z-Z

QUALIFICATION TEST PENDING

SEAL WIRE ENTRY COLOR	Ø X REF	K REF	PART NUMBER
YELLOW	Ø 0.75	130°	1445389-04
NATURAL	Ø 1.5	115°	1445389-03
NATURAL	Ø 1.5	130°	1445389-02
YELLOW	Ø 0.75	115°	1445389-01

DIMENSIONS:		TOLERANCES UNLESS OTHERWISE SPECIFIED:		DWN: G. DOUTY 01MAR2001		EGR: H. WAKEEM 12JUN2003		APVD: H. WAKEEM 12JUN2003		NAME: ASSEMBLY, RECEPTACLE, SIZE 8, 4 POSITION, FREE HANGING, SEALED, MINI CPC	
mm	0 PLC ±	1 PLC ±	2 PLC ±	3 PLC ±	4 PLC ±	ANGLES ±	FINISH	MATERIAL: SEE CALLOUT	SEE CALLOUT	WEIGHT: -	RESTRICTED TO: -
MATERIAL: SEE CALLOUT										CUSTOMER DRAWING	
SCALE: 5:1										SHEET 1 OF 1	
REV B										REV B	